A large, faint, light blue version of the JETION SOLAR logo is centered in the background of the page.

Installation Manual for Jetion PV Double Glass Bifacial Modules

Please read this manual carefully before installation
and reserve for later use

This installation manual is suitable for the following Jetion

Modules model

SXh(B)

STh(B)

SIh

SSh

Email: marketing@jetion.com.cn

Web Site: www.jetion.com.cn

Contents

1 Introduction	4
2 Laws and Regulation	4
3 General Information	4
3.1 Modules identification.....	4
3.2 Regular Safety	5
3.3 Electrical Performance Safety	5
3.4 Operation Safety.....	6
3.5 Fire Safety	7
4 Installation Conditions.....	7
4.1 Installation Site and Working Environment	7
4.2 Selection of Tilt Angles	7
5 Mechanical Installation	8
5.1 Regular Requirements	8
5.2 Installation Method.....	9
5.2.1 Install Modules by Mounting Holes	9
5.2.2 Use clamps to install modules	9
5.2.3 Position of Installation Connecting Points.....	10
6 Electrical installation.....	12
6.1 Electrical Performance	12
6.2 Cables and Connecting Lines	13
6.3 Connector	13
6.4 Bypass diode.....	13
6.5 PID Protection and Inverter Compatibility.....	13
7 Grounding	14
8 Operation and maintenance	15
8.1 Cleaning.....	15
8.2 Module Appearance Inspection	16
8.3 Inspection of connectors and cables	16

1 Introduction

First thank you very much for choosing Jetion PV modules!

This installation manual covers key electric and mechanical installation information, so please understand such information before installing Jetion modules. In addition, this manual also covers some safety information that you shall get familiar with. All contents in this manual are intellectual properties of Jetion which originates from long term of technical exploration and experience accumulation of Jetion.

This installation manual does not entail any explicit or implicit quality warranty and does not stipulate on compensation schemes for losses, module damages or other costs caused by or related to module installation, operation, utilization and maintenance process. If patent rights or the third party rights are infringed by use of modules, Jetion will not take any responsibility. Jetion reserves the rights for modifying product manual or installation manual without notice in advance.

If customers fail to install modules as per requirements set forth in this manual, the quality warranty provided for customers during sales will become invalid. In addition, suggestions in this manual are to improve safety of module installation, which are tested and proved by practices. Please provide this manual to PV system users for reference to and advise them of safety, operation and maintenance requirements and suggestions.

2 Laws and Regulation

Mechanical and electrical installation of PV modules shall follow proper regulations such as electric law, building law and electric connecting requirements. These regulations vary with different installation sites, such as building roofing installation, vehicle-mounted application and etc... Requirements may also vary with DC or AC system, difference installation system voltage. Please contact local authorities for specific clauses.

3 General Information

3.1 Modules identification

Each module is pasted with 3 labels providing information below:

Nameplate: It describes product type, standard rated power, rated current, rated voltage, open circuit voltage, short circuit current under testing conditions, certification indicator, maximum system voltage, etc.

Current level label: It describes modules according to their optimal working current.

Serial No.: Each module has a unique serial number which is solidified inside the module permanently and it can be seen from front top of the module. Each serial number is put in before laminating of the module. In addition, you can find the same serial number on the module nameplate.

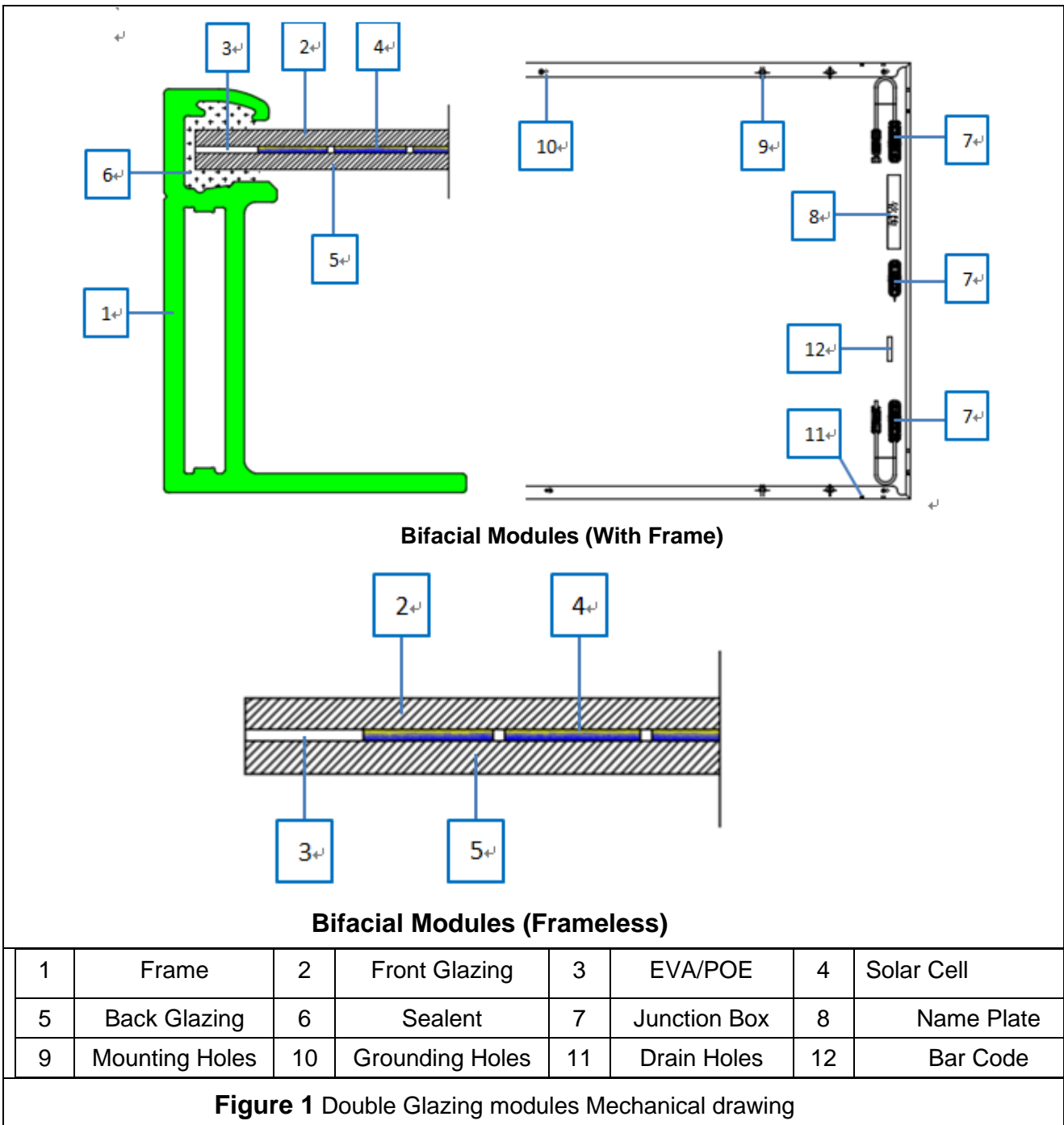


Figure 1 Double Glazing modules Mechanical drawing

3.2 Regular Safety

The application level of Jetion Solar module is Class II, which can be used in systems operating at > 50 V DC or > 240 W, the modules are installed on roof, it is important to take the overall fire rating of the finished structure as well as later overall maintenance into account. The roofing PV system shall be installed after assessment by construction experts or engineers and with official analysis results for the entire structure. It shall be proved capable of supporting extra system bracket pressure, including PV module weight.

For your safety, please do not work on the roof without safety protective measures which include but not limited to fall protection, ladder or stair and personal protective articles.

For your safety, please do not install or handle modules in unfavorable conditions including but not limited to strong wind or gust, damp or sandy roofs.

3.3 Electrical Performance Safety

PV modules can produce DC current under illumination, any contact of the exposed metal of the modules connection wires may result in electrical shock or burn. Any contact of 30V or larger DC Voltage can be fatal.

In case of no connected load or external circuits, modules can still produce voltage. Please use insulation tools

and wear rubber gloves when operating modules in the sunlight.

PV modules does not have switch. PV modules can only stop operating when they are kept from sunlight or covered by cloth, hard board or light-proof materials or when front side of modules are placed on smooth and flat surfaces.

To avoid electric arc or electric shock hazards, please do not break down electric connection in loaded conditions. Wrong connections will also lead to electric arc or shock. Keep connectors dry and clean and make sure that they are in good operating condition. Do not insert other metals into the connectors or carry out electric connection by whatever means.

Snow and water in surrounding environments will intensify light reflection and lead to increase of output current and power. And module voltage and power will increase under low temperature condition.

If module glass or packaging materials are damaged, please wear personal protective articles and then isolate modules from the circuit.

Any modules related works are only allowed in dry conditions by means of dry tools. Do not operate when modules are wet unless you wear the proper electric shock protection articles. Please follow the cleaning requirements in this manual when cleaning modules.

3.4 Operation Safety

Do not open Package in transportation and storage process unless the modules arrive at the installation site.

Do not damage the package and do not fall packaged modules.

Do not exceed the highest layer limit indicated on the packaging carton when piling modules up.

Put packaging carton in the ventilated, rain-proof and dry places before unpacking of modules.



Open Jetion's packaging carton following unpacking instructions.

Do not lift the module by holding the junction box or wires in any cases.

Do not stand or walk on modules.



Do not drop one module onto another.

To avoid glass damage, do not put heavy objects on module glass.

Be careful when placing modules on a surface and at corners in particular.



Do not try to unpack the module or remove nameplate or parts of modules.

Do not paint surface of modules or apply any other glues.

Do not damage, grad or scratch back film of modules.

Do not drill frame of modules, which may reduce frame loading capacity or lead to frame corrosion.

Do not scratch anodic coating of aluminum alloy frame except for grounding connection. Scratch may lead to frame corrosion and reduce frame loading capacity.

Do not repair glass or modules whose back film is damaged on your own.

3.5 Fire Safety

Please consult local laws and regulations before installing modules and abide by requirements on building fire protection. Fire rating of Jetion modules is Class A according to IEC 61730-2.

The roof should be coated by a layer of fireproof materials with suitable fire protection rating for roofing installation and make sure that the back plate and the mounting surface are fully ventilated.

Difference roofing structures and installation modes will affect fireproof performance of buildings. Improper installation may leads to the risk of fire.

To guarantee roof fire rating, the distance between module frame and roof surface must be $\geq 10\text{cm}$.

Adopt proper module accessories such as fuse, circuit breaker and grounding connector according to local regulations.

Please do not use modules if there are exposed inflammable gases nearby.

4 Installation Conditions

4.1 Installation Site and Working Environment

The modules can only be used on earth but not in outer space.

Do not manually focus sunlight with mirrors or magnifying glass onto modules.

Jetion modules shall be installed on proper buildings or other appropriate places (such as ground, garage, building outer wall, roof, PV tracking system) but shall not be installed on any vehicles.

Do not install modules at places that are possible to be flooded.

Jetion suggests that modules be installed in the working environment with the temperature of -20°C to 50°C which is the monthly average highest and lowest temperature of the installation sites. The extreme working

environment temperature for modules is -40°C to 85°C .
Make sure that installed modules do not suffer wind or snow pressure that exceeds the permissible maximum load limit.

Modules shall be installed in places free from shadows throughout the year. Make sure there are no light-blocking obstacles in the installation sites.

Carry out lightning protection for modules installed in places with frequent lightning and thunder.

Do not install modules in places with possible inflammable gases.

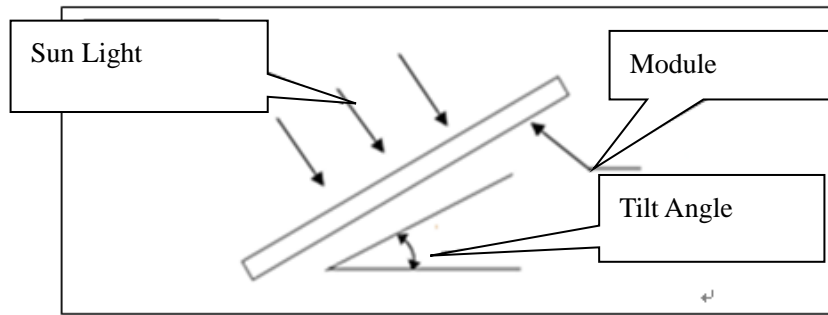
Modules cannot be used in environments with too much hails, snows, flue gas, air pollution and soot or in places with strong corrosive substances such as salt, salt mist, saline, active chemical steam, acid rain, or other substances corroding modules, affecting module safety or performance.

Please take protective measures to ensure reliable and safe installation of modules in severe environments such as heavy snow, cold and strong wind or islands close to water and salt mist or deserts.

Jetion modules have passed the IEC61701 salt spray corrosion test, but the corrosion may still occur on where the modules frame is connected to the bracket or where the grounding is connected. Jetion modules can be installed 50m –500m away from the ocean side, but stainless steel or aluminum material are needed to be used in where contacting PV modules and apply anti-corrosion measurement on the connection point. Please refer to the Jetion Seaside Installation Manual for further detail.

4.2 Selection of Tilt Angles

Tilt angle of modules: Included angle between module surface and horizontal surface; the module will obtain the maximum power output in direct facing of sunlight.



Modules are preferred to be south-facing in the north hemisphere and north-facing in the south hemisphere.

Please refer to standard modules installation guideline or suggestions from experienced PV module installer, for the specific installation angle.

Jetion suggests that module installation tilt angle be no less than 10° so module surface dust can be washed away easily by rainfall and times of cleaning can be reduced. And it is easy for ponding to flow away and avoid water print on the glass due to long time of water ponding which may further affect module appearance and performance.

The Jetion modules connected in series should be installed with the same orientation and tilt angle. Difference orientation and tilt angle may result in differ received solar irradiation and result in output power loss.

If the Jetion modules are used in Stand-alone System, the tilt angle should be calculated based on seasons and irradiation to maximize the output power. If the modules output power meets the acquired load under the period of the worst irradiation in the year, the modules should be able to meet the load of entire year. If the Jetion modules are used in Grid-connected System, the tilt angle should be calculated based on the principle to maximize the yearly output power.

5 Mechanical Installation

5.1 Regular Requirements

Make sure that module installation mode and bracket system can meet the expected load, which is requisite assurance that the bracket installer must provide. Installation bracket system shall be tested and inspected by the third party testing institution with static mechanical analysis capacity in accordance with local national standards or international standards.

Module bracket shall be made from durable, corrosion resistant, ultraviolet proof materials.

Modules shall be fixed on the bracket solidly.

Use higher brackets in places with heavy snow accumulation so the lowest point of modules will not be covered by snow for a long time. In addition, make the lowest point of modules high enough so as to avoid shading of vegetation and woods or damage of sands and stones.

If modules are installed on brackets parallel to the roof or wall, the minimum gap between the module frame and the roof/wall shall be 10cm for air ventilation so as to prevent module wire damage.

Do not drill holes on glass or frame of the modules.

Make sure the building is suitable for installation before installing modules on roof. Moreover, seal permeable parts properly to prevent leakage.

The module frames can appear thermal expansion and cold contraction so the frame interval between two adjoining modules shall be $\geq 10\text{mm}$.

Make sure that back plate of modules will not in contact with bracket or building structures that can pierce into the inside of the modules, especially when the module surface is imposed by pressure.

Maximum static load of the PV module by: front 5400pa and back 2400pa, these values can vary depending on installation method of the modules (please refer to the following installation guidance), the described load in this manual is for the test load. Note: on the basis of IEC61215 - 2016 installation requirements, when computing the corresponding maximum design load, need to consider the safety factor of 1.5 times.

Modules can be installed horizontally or vertically. During the installation, the drain holes located on the side of

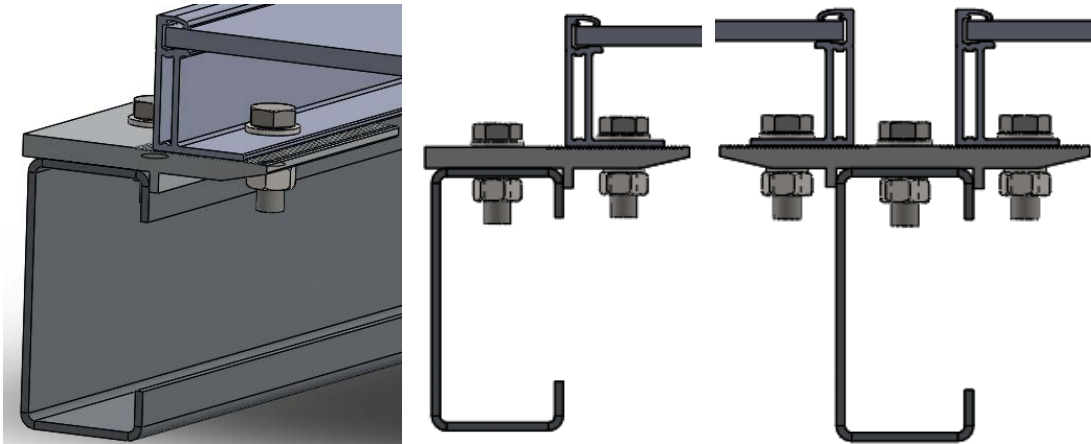
the module frame cannot be sheltered by such as the bracket.

5.2 Installation Method

Module and bracket system connection can be realized by mounting holes, clamps or embedded systems. Installation shall follow the demonstration and suggestions below. If installation mode is different, please consult Jetion and obtain approval. Otherwise, modules may be damaged and quality warranty will become invalid.

5.2.1 Install Modules by Mounting Holes

Make use of bolts to fix modules on the bracket through mounting holes on the back frame. See details in Figure 2.



Installation Mode

Recommended accessories as below :

Accessories	Model	Material	Note
Bolt	M8	Q235B/SUS304	Accessories material selection should base on local environment.
Washer	2*M8	Q235B/SUS304	
Spring Washer	M8	Q235B/SUS304	
Nut	M8	Q235B/SUS304	

Torque range for fastening bolts: 16N•m to 20N•m

5.2.2 Use clamps to install modules

Use the special clamp to install modules. See details in Figure 3.

The clamp shall not contact glass or cause module frame deformed in any case. The contacting surface of the clamp and frame front side shall be neat and smooth. Otherwise, frame and module may be damaged.

Make sure that the clamp will not produce shading effect. Drain holes cannot be sheltered by the clamp. The clamp must overlap with module frame with no less than 8mm and no larger than 10mm.

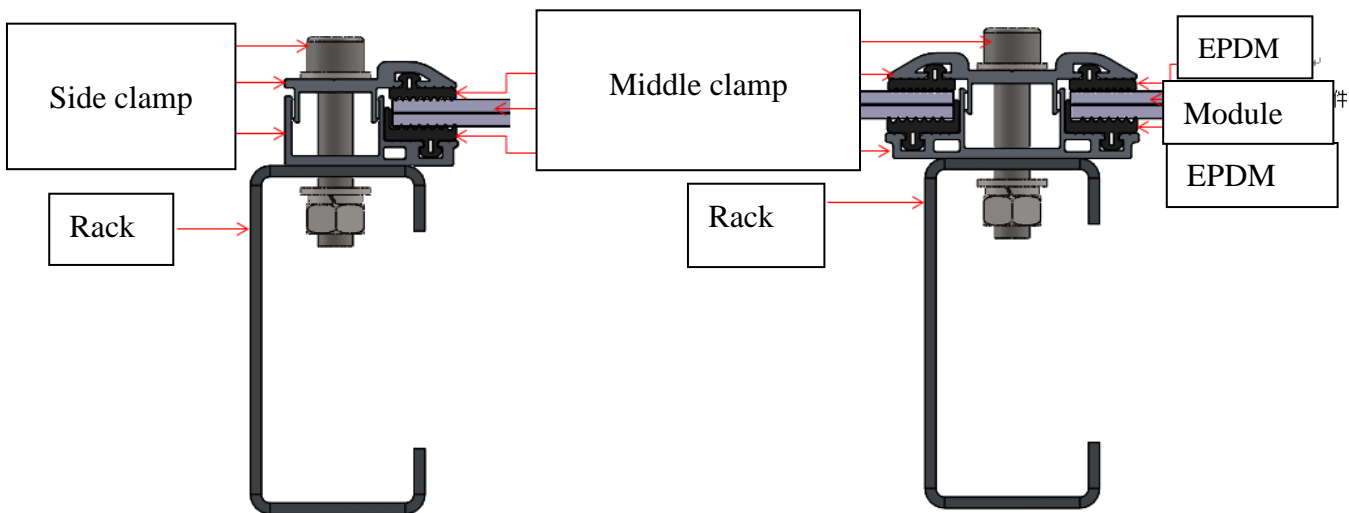
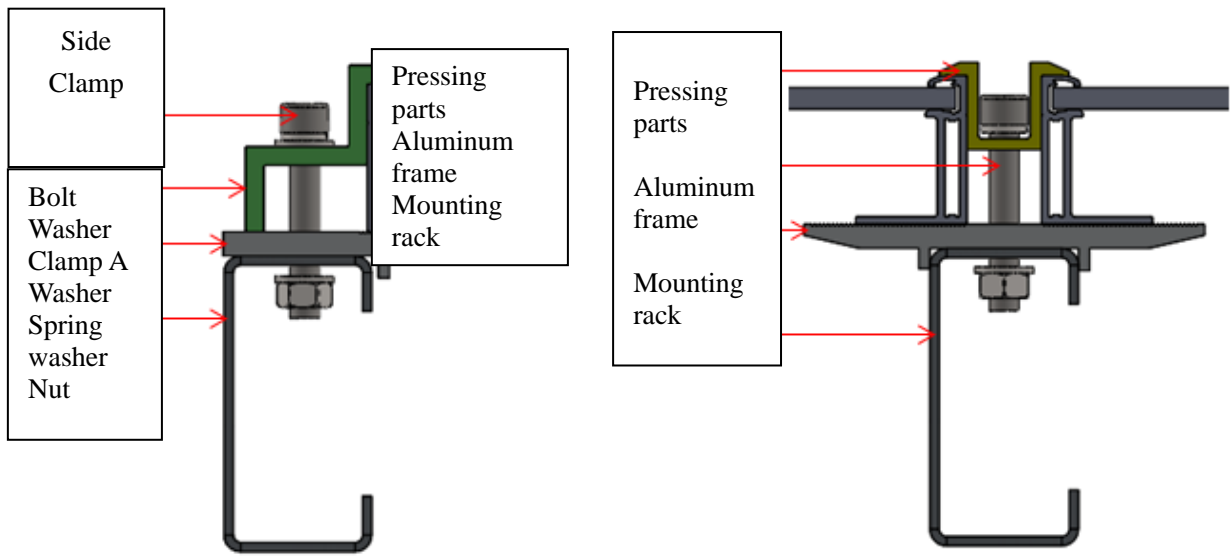
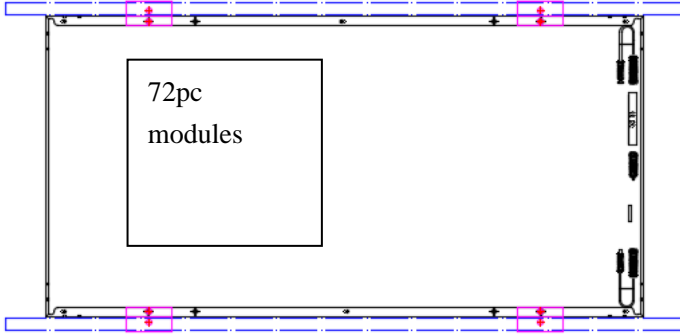
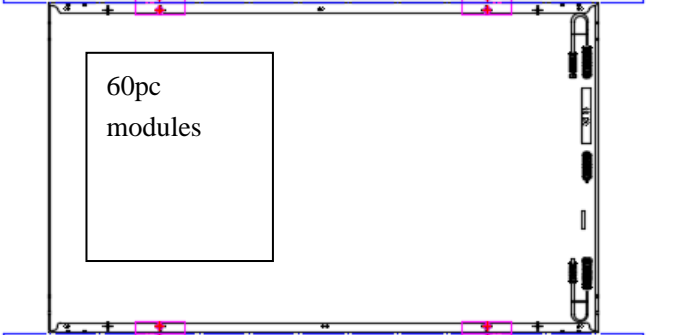
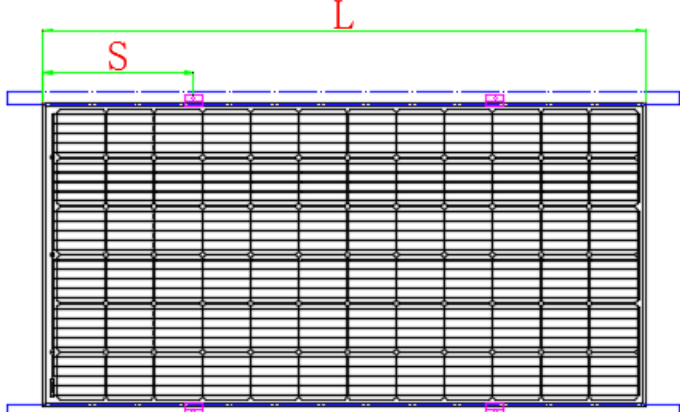
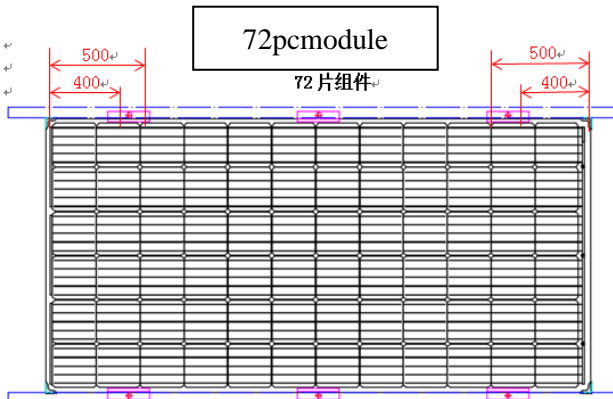


Figure 3 Clamp installation guideline

5.2.3 Position of Installation Connecting Points

The use of screw installation or pressure block installation; the maximum rear static load of the modules is 2400PA (equivalent to wind pressure), the maximum front static pressure is 5400Pa (equivalent to wind pressure and snow pressure)

Modules Mechanical Property(≤)	Bifacial Module with Frame Installation Guideline	Installation Method/Installation Location

<p>+ 5400pa -2400pa</p>			<p>Frame bolt hole Located according to actual frame(4 inside) Notes: In certain cases there can be 8 holes on the frame.</p>
<p>+ 5400pa -2400pa</p>			<p>Frame bolt hole Located according to actual frame(4 inside) Notes: In certain cases there can be 8 holes on the frame.</p>
<p>+ 5400pa -2400pa</p>			<p>Pressure Block $(1/4L-50) \leq S \leq (1/4L+50)$ Note: Suitable for both 60pc and 72pc modules</p>
<p>Modules Mechanical Property(\leq)</p>	<p>Clamp (L)mm</p>	<p>Frameless</p>	<p>Installation Method/Installation Location</p>
<p>$\pm 2400pa$</p>	<p>150</p>		<p>Pressure Block Position 400-500mm and the middle of the module. Notes: The distance is measured from the edge of the module to the center of the pressure block</p>

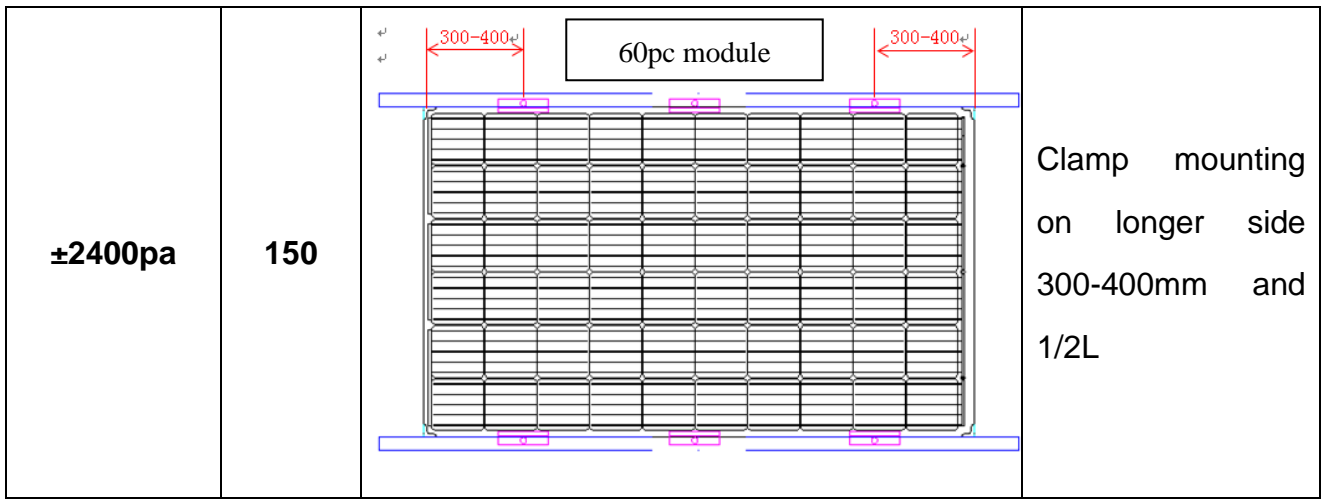


Figure 4 Position requirements of connecting points

6 Electrical installation

6.1 Electrical Performance

Module electric performance parameters such as I_{sc} , V_{oc} and P_{max} nominal values have $\pm 3\%$ error with those under standard testing conditions of: irradiance of 1000 W/m^2 , cell temperature of 25°C , and air mass of AM1.5. Under normal conditions, a PV module is likely to produce higher current and/or voltage than reported at standard test conditions. The values of I_{sc} and V_{oc} marked on this module should be multiplied by a safety factor of 1.25 when determining system components' ratings such as rated voltage, cable capacity, fuse capacity, rated power and etc. . .

When modules are in series connection, the final voltage is sum of that of the single module. When modules are in parallel connection, the final current is sum of the single module as below Figure 5 shows. Modules with different electric performance models cannot be connected in series.

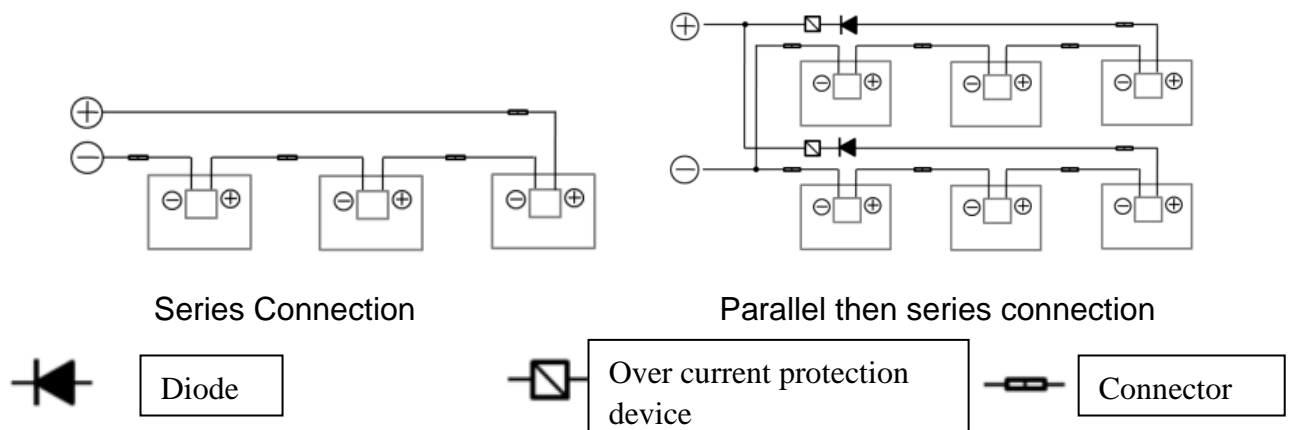


Figure 5: Series connection and parallel connection circuit diagram

The number of modules in series connection in each strand shall be calculated according to relative regulations. The open circuit voltage value under the expected lowest temperature shall not exceed the maximum system voltage value stipulated for modules and other values required by DC electric parts. (Jetion modules maximum system voltage is DC1000V/DC1500V---actually system voltage is designed based on the used modules model and inverter.)

The V_{OC} factor can be calculated with the following formula.

$$C_{V_{OC}} = 1 - \beta_{V_{OC}} \times (25 - T)$$

T: The expected lowest temperature of the installation site.

$\beta_{V_{OC}}$: V_{OC} temperature coefficient (% / °C) (Refer to modules manual for further detail)

If there is reverse current exceeding the maximum fuse current flowing through the module, use overcurrent protection device with the same specifications to protect the module; if parallel connection strands are more than 2, there shall be an overcurrent protection device on each strand of module. See Figure 5.

6.2 Cables and Connecting Lines

In module design, adopt enclosed junction boxes with the protective level of being equal or greater than IP67 for on-site connection to provide environmental influence protection for wires and connections and contacting protection for non-insulating electric parts. The junction box has well connected cables and connectors with the protective level of being equal or greater than IP67. These designs facilitate parallel connection of modules. Each module has two independent wires connecting the junction box, one is negative pole and the other is positive pole. Two modules can be in series connection by inserting the positive pole at one end of wire of one module into the negative pole of the adjoining module.

According to local fire protection, building and electrical regulation, apply proper cable and connector; ensure the electrical and mechanical property of the cables (the cables should be coated in a catheter with anti-UV aging properties, and if is exposed to air, the cable itself should have anti-UV aging properties).

The installer can only use one-way cable, 2.5-16mm²(5-14 AWG), 90 °C grade, with proper insulation capability to withstand the maximum open circuit voltage (such as EN50618 approval). Need to select appropriate wire specifications to resist the voltage drop and electrical connections comply with the appropriate National Electrical Code.

When cables are fixed on the bracket, avoid mechanical damage to cables or modules. Do not press cables by force. Adopt light resistant cable ties and clamps to fix cables on the bracket. Though cables are light resistant and water proof, it is still necessary to prevent cables from direct sun light and water immersion.

The minimum bending radius cables should be 43mm.

6.3 Connector

Please keep connectors clean and dry. Make sure connector nuts are fastened before connection. Do not connect connectors that are damp or dirty or under any other improper conditions. Avoid connectors from direct sun light and water immersion or falling onto ground or roof.

Wrong connection may lead to electric arc and electric shock. Please make sure that all electric connection is reliable. Make sure all connectors with lock are fully locked.

Only connectors matching those installed on module, i.e. from the same vendor and model, shall be used;(If you need to use different types of connectors, please consult the Jetion solar).

6.4 Bypass diode

Jetion solar module junction box contains bypass diode which is in parallel connection with the cell strands. If heat spot occurs locally with the module, the diode will come into operation to stop the main current from flowing through the heat spot cells in order to restrain module heating and performance loss. Notice, bypass diode is not the overcurrent protection device.

If the diode is found or doubted to be out of order, the installer or system maintenance supplier shall contact Jetion. Please do not try to open the module junction box on your own.

6.5 PID Protection and Inverter Compatibility

PV modules may appear Potential Induced Degradation (PID) under high humidity, high temperature and high voltage condition. Modules may appear Potential Induced Degradation (PID) under the conditions below:

PV modules install under hot and humid weather condition.

PV modules installation site is under long term humid condition such as floating PV system.

To reduce the risk of PID, on the modules DC connection site, the cathode of must be correctly grounded. The PID protection measures on system level are recommended as follow

For isolated PV inverter, the cathode of the PV modules DC connection side can be directly grounded.

For non-isolated PV inverter, isolated transformer is needed to be installed before applying virtual grounding (grounding method guidance from the inverter manufactures are usually needed)

7 Grounding

In design of modules, the anodized corrosion resistant aluminum alloy frame is used for rigidity support. For safety utilization and to protect modules from lightning and static-electricity damage, the module frame shall be grounded.

The grounding device shall be in full contact with inner side of the aluminum alloy and penetrate the frame surface oxide film.

Do not drill additional grounding holes on module frame.

The grounding conductor or strap may be copper, copper alloy, or any other material acceptable for use as an electrical conductor per respective National Electrical Codes. The grounding conductor must then make a connection to earth using a suitable earth ground electrode.

The module frame has been drilled and marked with clear sign for grounding purpose only. These holes can only be used for grounding and cannot be used to install modules.

Frameless double glazing modules have no exposed conductor, and therefore according to regulations it did not need to be grounded.

Grounding methods below are permissible

1. Grounding by grounding clamp

There is a grounding hole with the diameter of $\varnothing 4$ mm at the edge of the module back frame. The central line of the grounding sign also located on the edge of the module back frame overlaps with that of the grounding hole.

Grounding between modules shall be confirmed by qualified electricians and grounding devices shall be manufactured by qualified electric manufacturer. The torque is recommended to be $2.3\text{N}\cdot\text{m}$. 12 AWG copper core wire is used for the grounding clamp. And copper wires cannot be pressed damaged during installation.

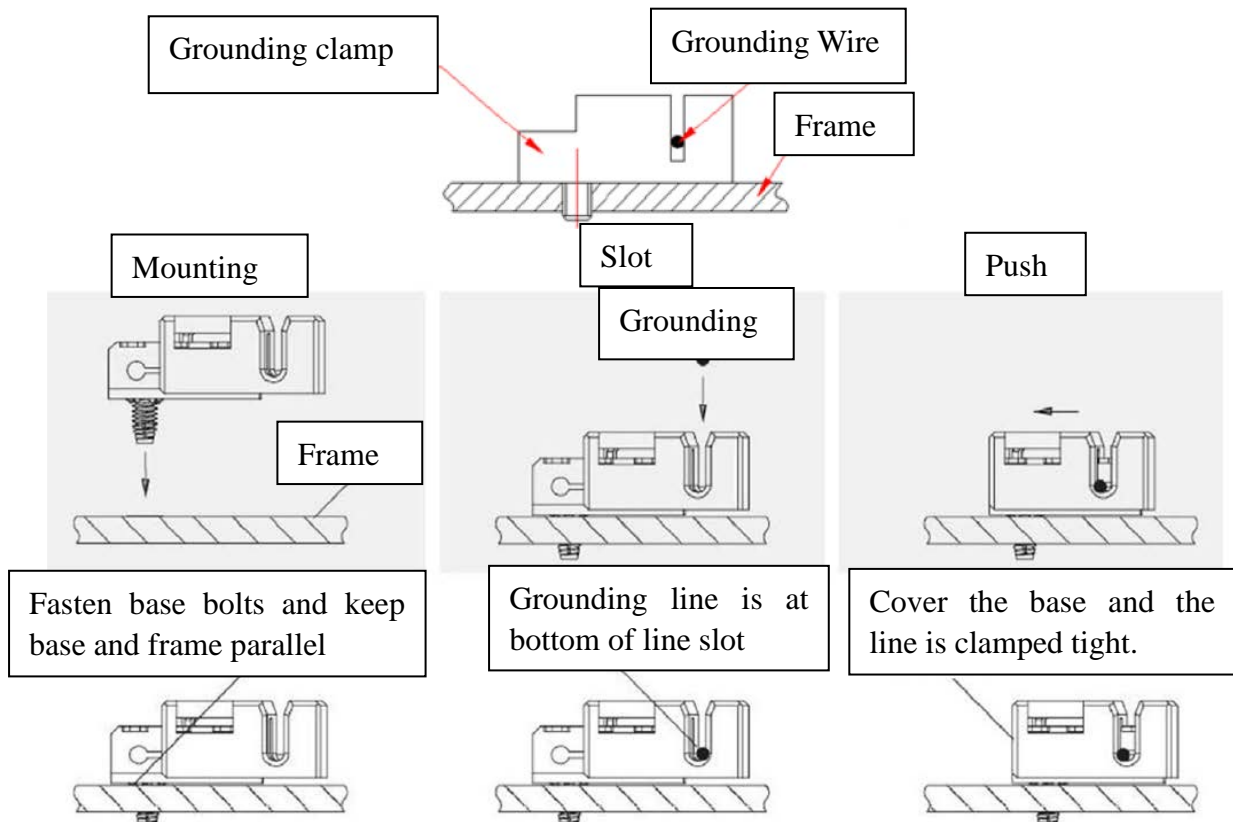


Figure 6 Grounding Clamp Installation

Note: TYCO. 1954381-1 (recommended) is used in figures above.

2. Grounding by unoccupied mounting holes

Mounting holes on modules that are not occupied can be used for installing grounding devices.

Align grounding clamp to the frame mounting hole. Use grounding bolt to go through the grounding clamp and frame.

Put the tooth side of the washer on the other side and fasten the nuts. The recommended torque for nut fastening is 2.0Nm to 2.2Nm.

Put grounding wires through the grounding clamp and grounding wire material and dimension shall meet requirements in local national and regional law and regulations.

Fasten bolts of grounding lines and installation ends.

Above method can also be used for grounding through the grounding holes located on the frame

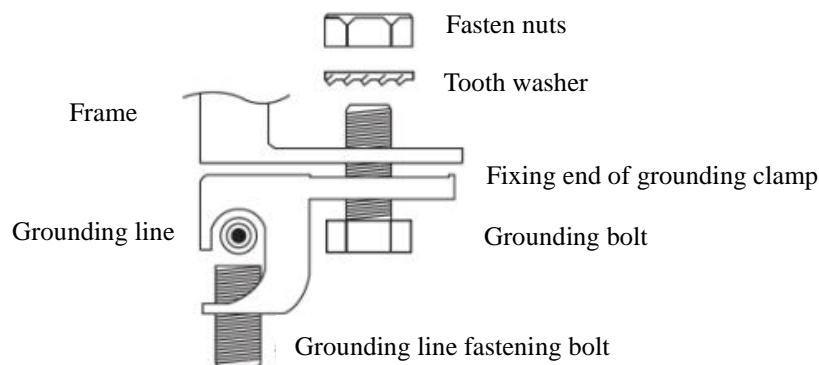


Figure 7 Install Method

3. The third party grounding devices

The third party grounding device can be used for grounding of Jetion modules but such grounding shall be proved to be reliable. Grounding device shall be operated in line with stipulations of the manufacturer.

8 Operation and maintenance

It is the users' responsibility to carry out regular inspection and maintenance for modules in particular during the quality warranty period; and, inform the supplier within two weeks when modules are found to be damaged.

8.1 Cleaning

Accumulated contaminants on module surface glass will reduce the power output and lead to local heat spot, such as dust, industrial waste water and birds' droppings. The degree of influence is determined by transparency of wastes. Small amounts of dust will affect the intensity of solar irradiation and evenness that modules received but are not dangerous and power will not be reduced remarkably in general.

During operation of modules, there shall be no environmental factors projecting shades that shelter partial or the entire module. These environment factors including other modules, module system bracket, birds, dust, soil or

plants. These will significantly reduce output power. Jetion suggests that the module surface should not be sheltered in any case.

Frequency of cleaning depends on dirt accumulation speed. In normal situations, rainwater will clean the module surface and reduce the cleaning frequency. It is suggested to use damp clean water sponge or soft cloth to wipe the glass surface. Do not use acid and alkaline detergents to clean modules. Do not use tool with rough surface to clean in any case.

In order to avoid potential risk of electrical shock or burn, Jetion suggests cleaning the modules during early morning and evening with less solar irradiation and lower modules temperature especially area with high average temperature.

In order to avoid potential risk of electrical shock, do not try to clean the modules with glass damage or expose wires.

8.2 Module Appearance Inspection

Check module appearance defects visually, especially:

Module glass cracks.

Corrosion at welding parts of the cell main grid: it is caused by moisture into the module due to damage of surface packaging materials during installation or transportation.

Check whether there are traces of burning on the module back plate.

Check PV modules for signs of aging including rodent damage, weather damage, connection tightness, corrosion and grounding condition.

Check for any sharp objects in contact with PV modules' surface

Check for any obstacles shielding the PV modules

Check for any loose or damaged screws between the modules and bracket. If so, adjust and fix on time.

8.3 Inspection of connectors and cables

It is suggested to carry out the following preventive inspection once every 6 months,

Check connector sealing and cable connection.

Look for gap on the sealant of the terminal box and confirm whether it is cracking.